

## BRITISH BERKEFELD® GRAVITY SYSTEM ASSEMBLY INSTRUCTIONS AND OPERATION:

Carefully unpack the ceramic filters and parts, checking them against the diagram. The number of filter elements included depends on the model purchased.



Maintain extreme cleanliness when assembling. Wash your hands thoroughly before starting. Take care not to contaminate any components during assembly.

1. Attach the knob (1) to the lid (2) by inserting the screw (3) up through the lid hole and screwing the knob on top. Hand tighten only.
2. Slide the large sealing washer (10) over the threaded end of the ceramic filter (5).
3. Insert the filter (5) into the hole in the base of the upper chamber (4).
4. Secure the filter by screwing the wing nut (11) onto the threaded mount.
5. Repeat steps 2 through 4 for all remaining ceramic filters.
6. Slide the one washer (8) onto the threaded spigot (7).
7. Insert the spigot's thread through the hole in the lower chamber's (6) side.
8. Inside the chamber, add the second washer (8) over the thread and secure with the nut (9). Hand tighten only.
9. Ensure the spigot (7) is in the "OFF" position.
10. Place the upper chamber (4) onto the lower chamber (6).
11. Place the lid (2) on the upper chamber (4).

### CONDITIONING THE FILTERS:

Fill the upper chamber (4) with cold water, cover with the lid (2), and let the water gravity filter into the lower chamber. Open the spigot to drain all water. Allow filters to stand unused overnight. Refill upper chamber with water, filter for one hour, then open spigot for two minutes to flush water. The British Berkefeld® filter is now ready for use.

**Note: A new ceramic filter may filter slowly at first but will increase flow rate after several refills as it conditions with use.**

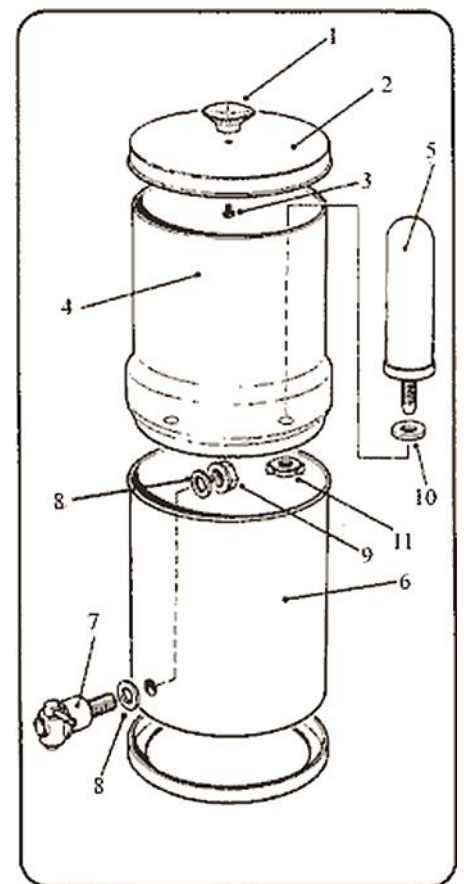
If filters are left unused for over 3 days, run water through for 1 minute before drinking. When installing a new ceramic filter, follow the conditioning procedure above. Replace filters every 6 months for optimum water quality. Cleaning instructions are included with each new filter.

### DISINFECTING THE LOWER CHAMBER, SPIGOT, AND FILTERS:

Remove upper chamber (4) and drain any water. With the ceramic filters remaining installed in the upper chamber (4), place upper chamber (4) upside down to ensure it will not roll off your counter or other work surface. Clean lower chamber (6) with mild dish soap or a 1:1 mixture of water and vinegar, and rinse thoroughly. Remove spigot (7) and soak it in a 1:1 mixture of clean water and vinegar for 5-10 minutes to help remove any mineral deposits. Rinse spigot thoroughly. Reattach spigot (7). Carefully place upper chamber (4) onto lower chamber (6). Refill the upper chamber (4) and filter all water. Flush the filtered water through the spigot (7) for a few minutes then discard. Perform this disinfection procedure periodically or if contamination is suspected.

### IF A FILTER IS ACCIDENTALLY DROPPED:

Air dry the filter for at least 24 hours. Submerge it in water while blocking the outlet to trap air inside. If cracks are present, the trapped air will bubble out indicating the candle needs replacement.



Sold by: British Water Filter. Toll free (800) 244-9864

Email: [customerservice@britishwaterfilter.com](mailto:customerservice@britishwaterfilter.com) ▪ [www.britishwaterfilter.com](http://www.britishwaterfilter.com)